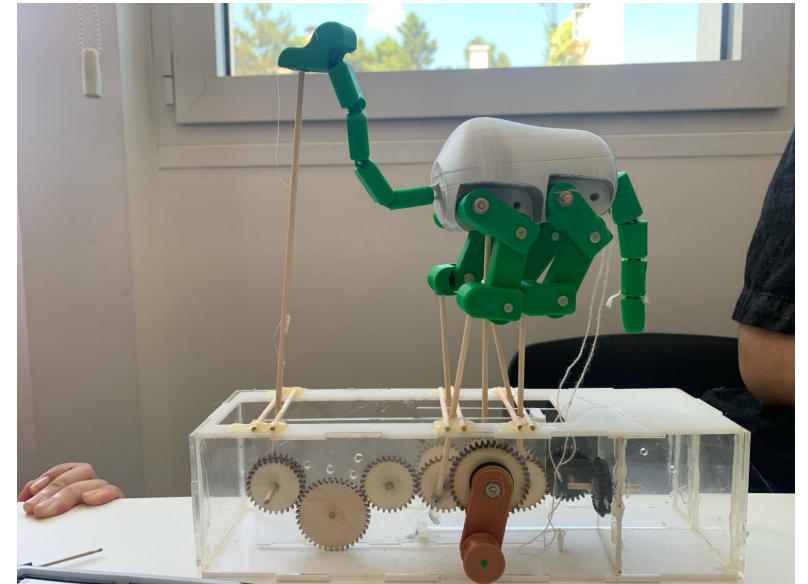
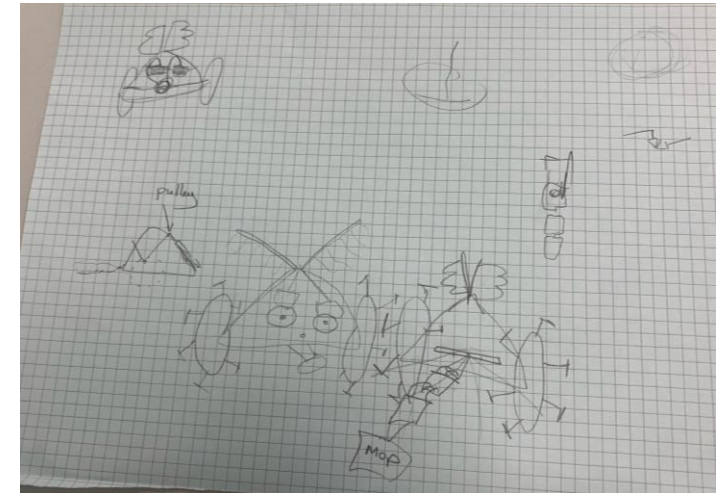
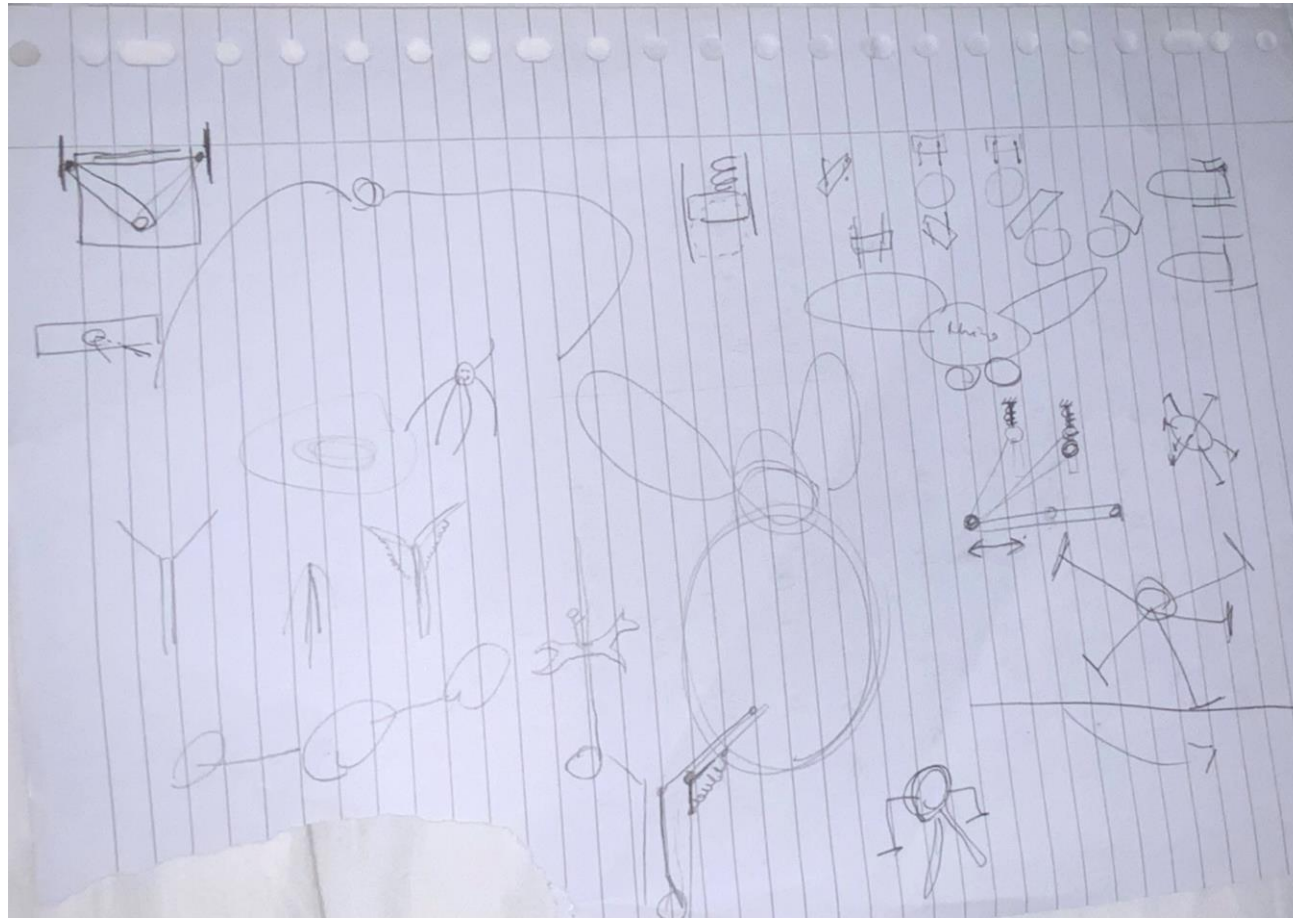


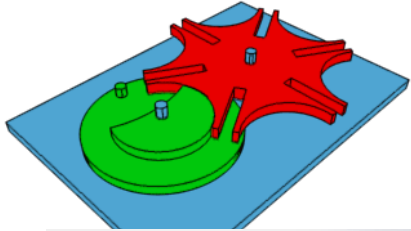
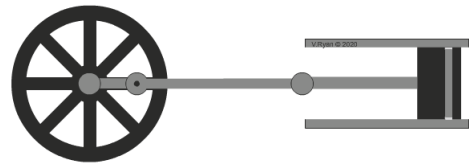
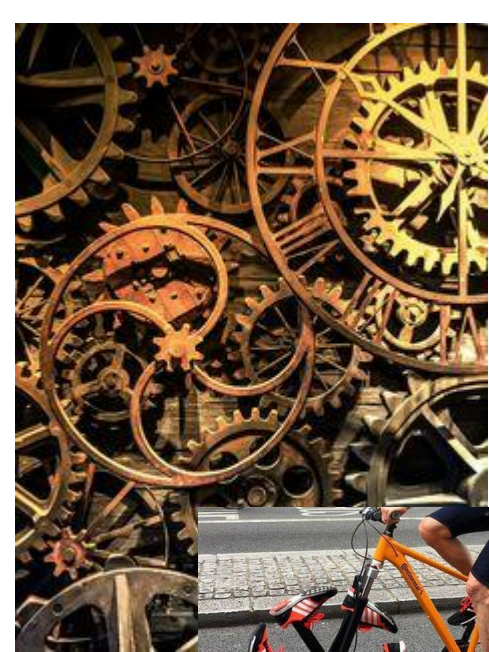
The dolly process

Insert finished dolly



First idea : funny robot





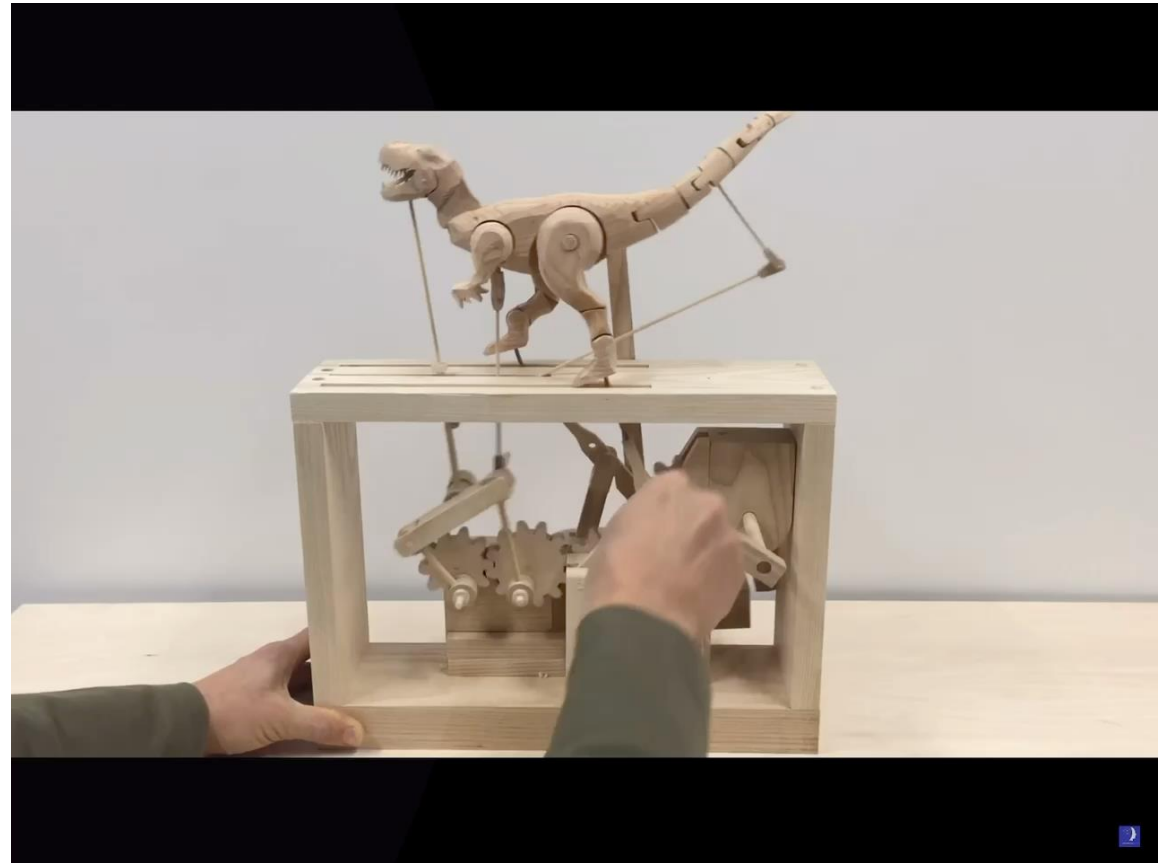
06.27.08
Disney • PIXAR



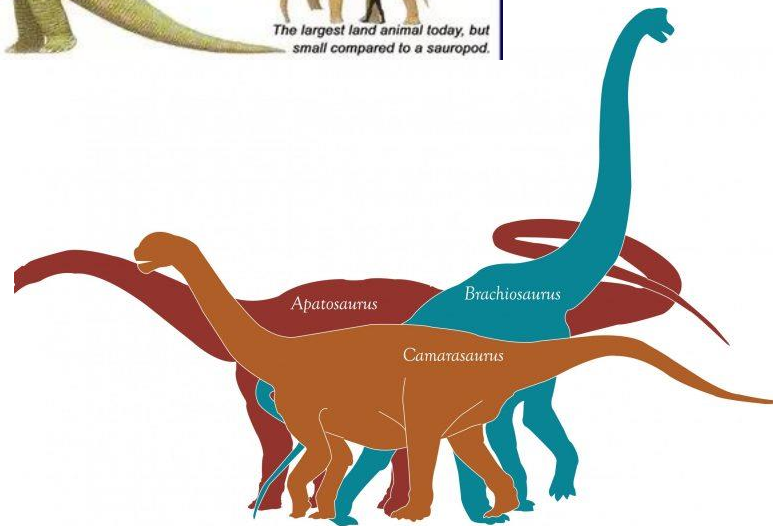
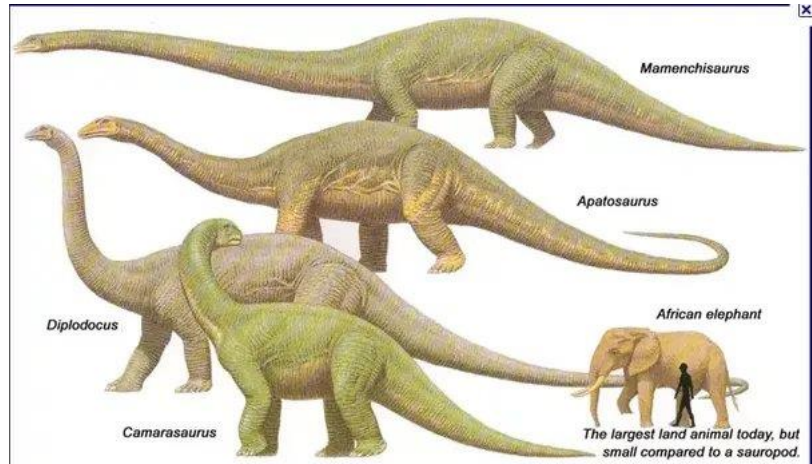
mattidixon.co.uk

Then no bc dinosaure

- Insert pinterest
- <https://pin.it/6VO44HX>



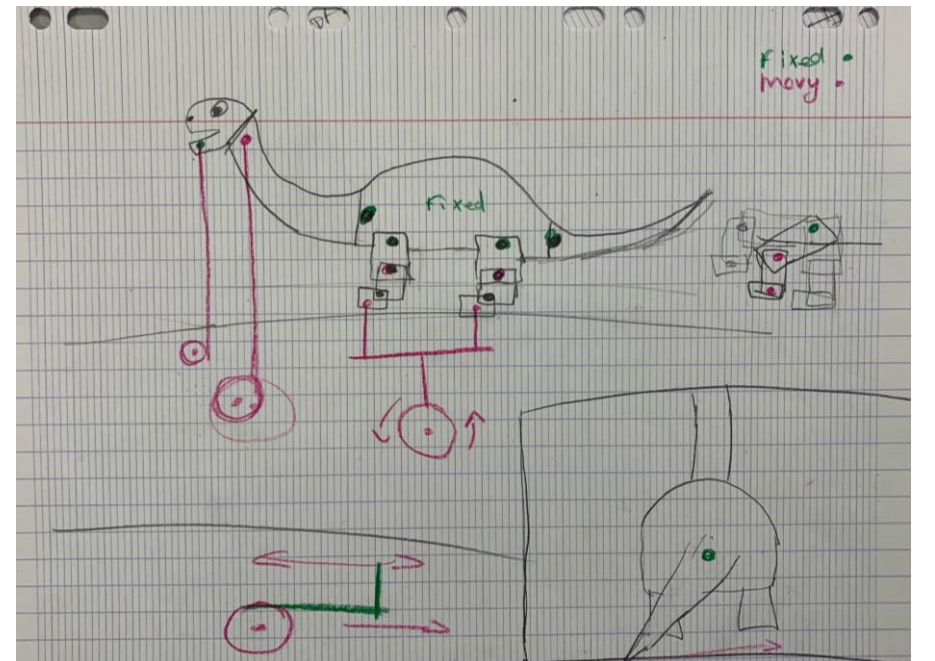
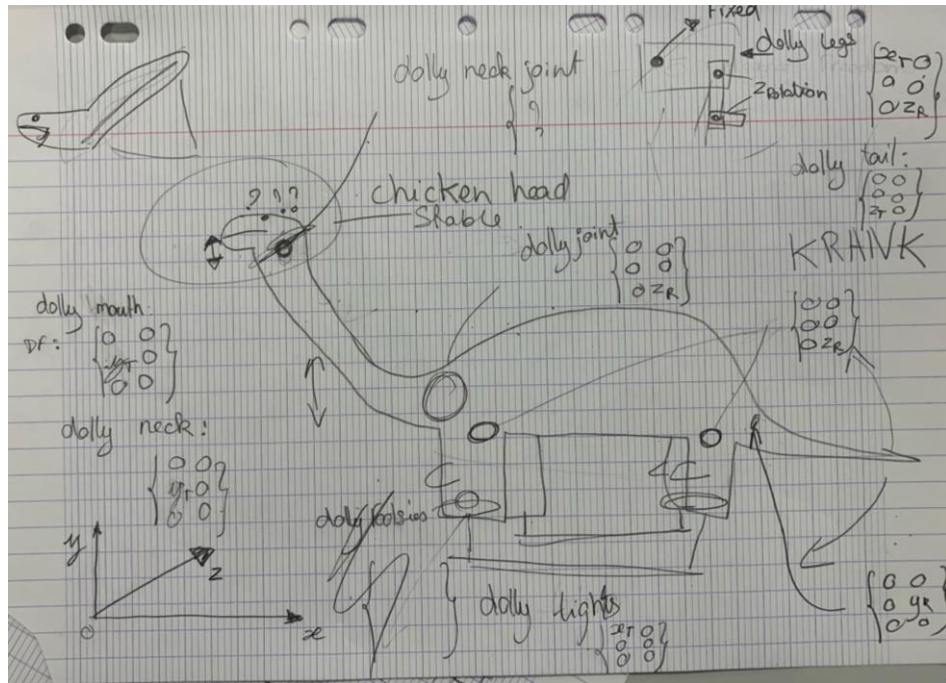
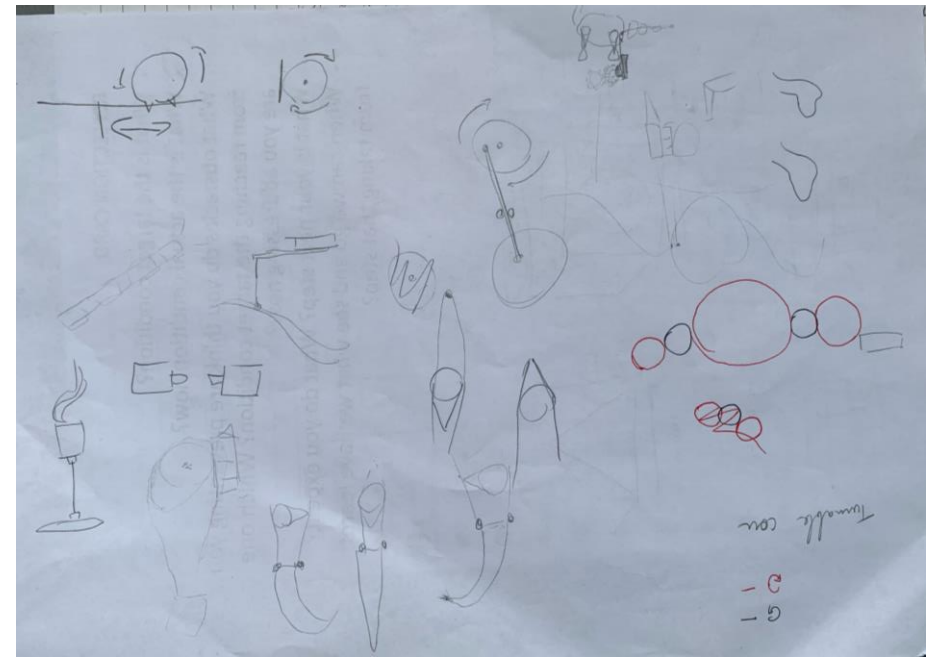
Diplodocus ? Brontosaurus ? Brachiosaurus ?



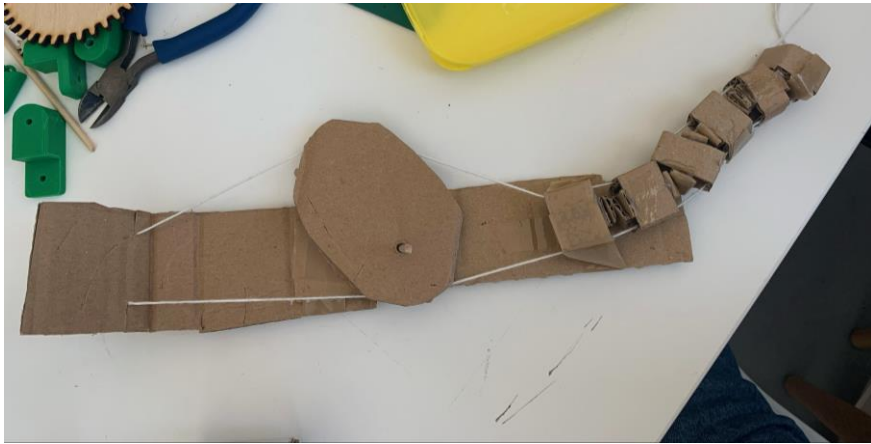
Brachiosaurus !



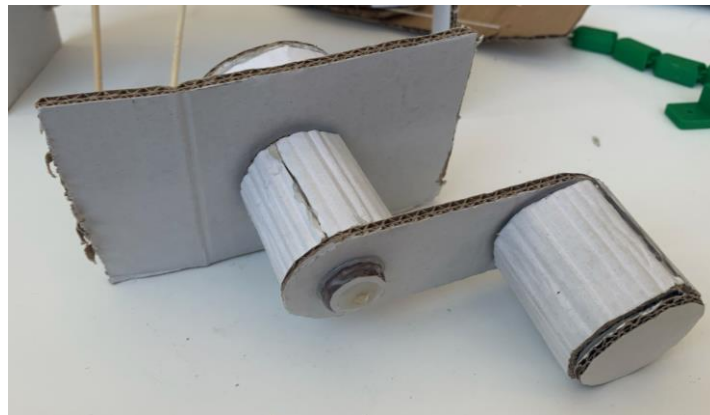
First schemes of Dolly



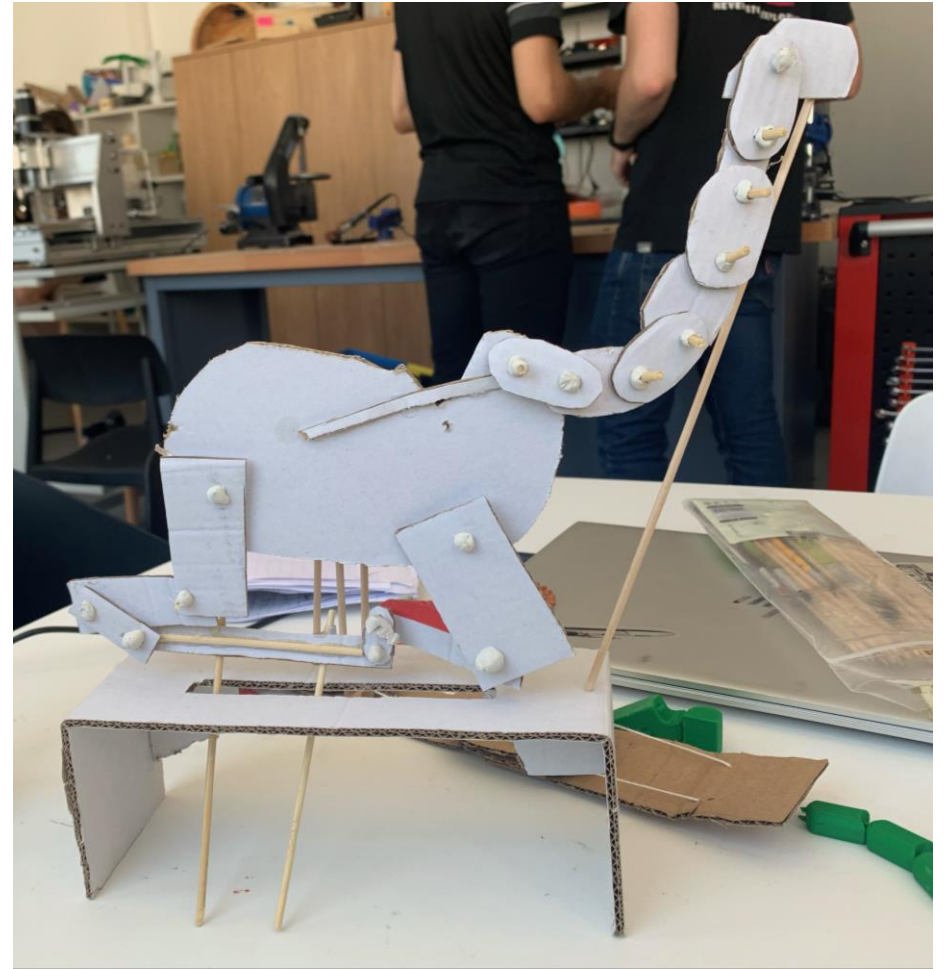
First prototypes :



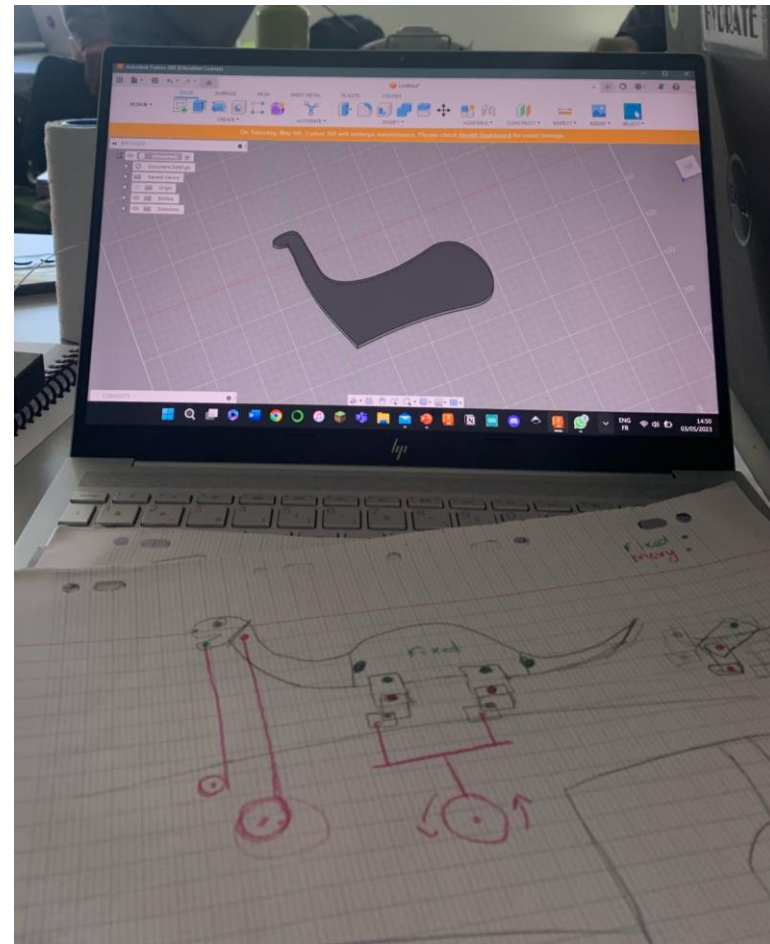
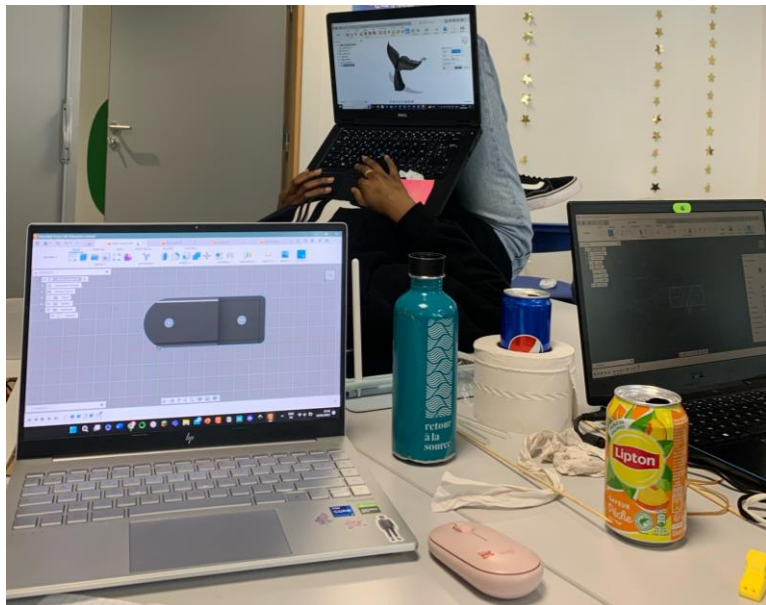
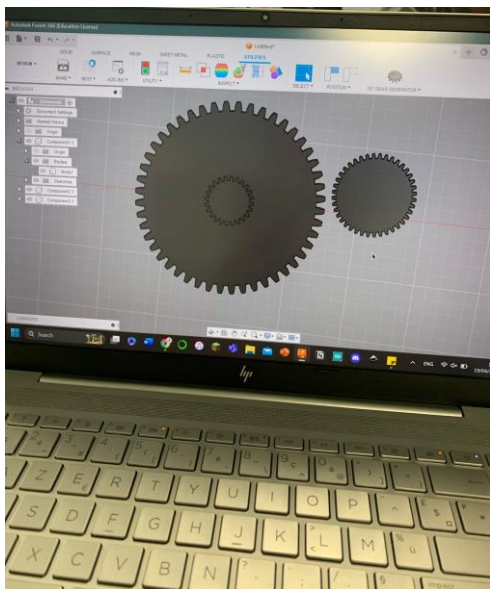
Tail



Crank



Started modelizing stuff

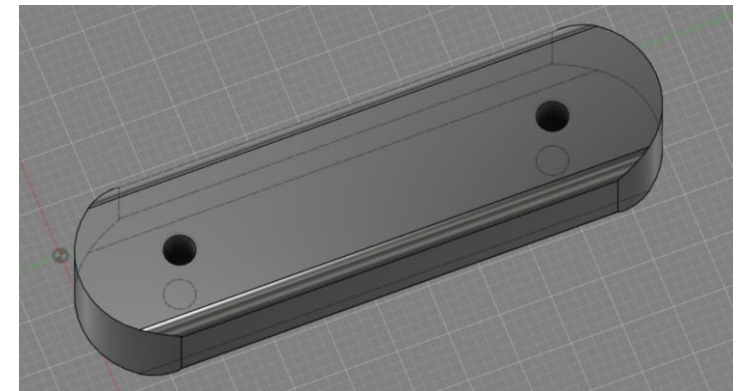
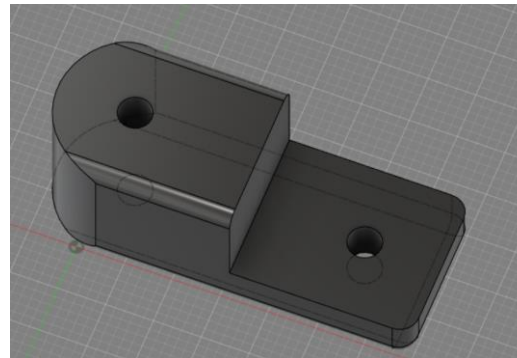
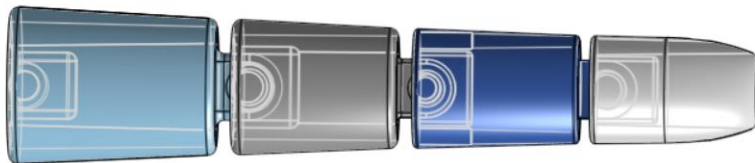
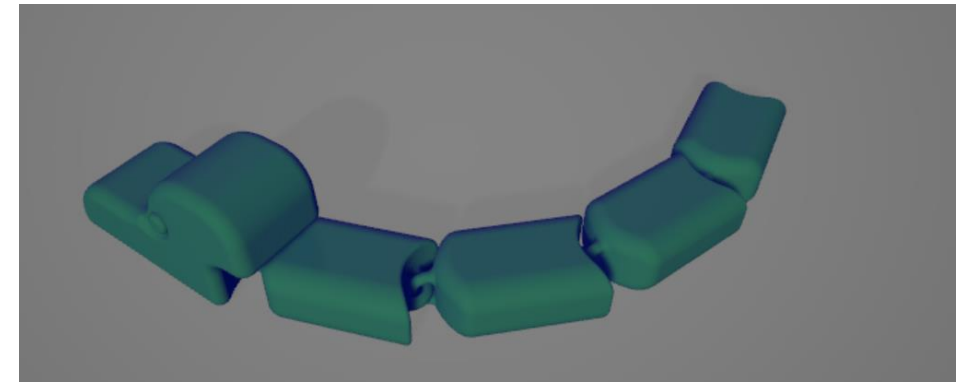
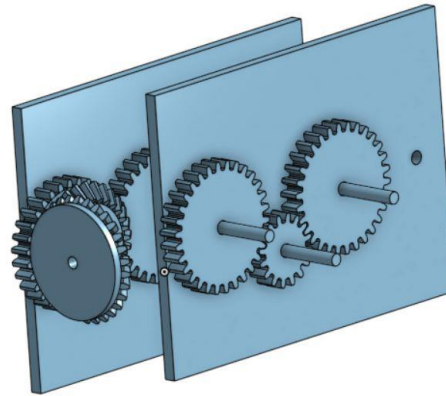
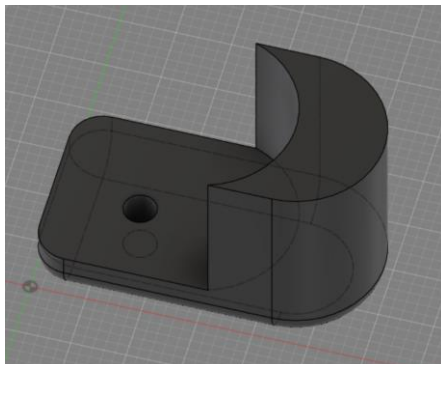
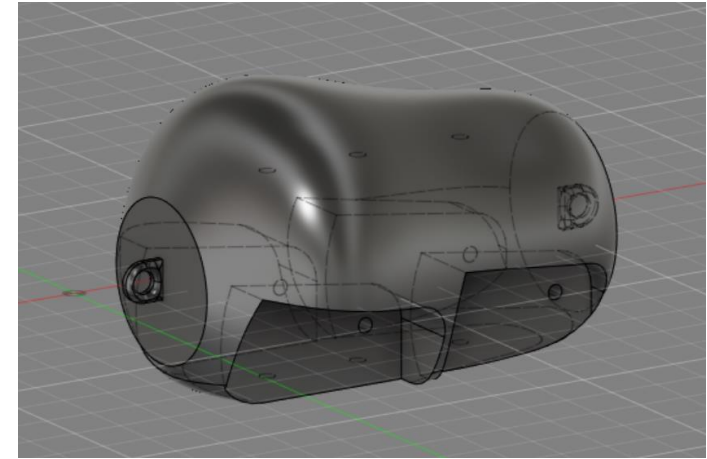
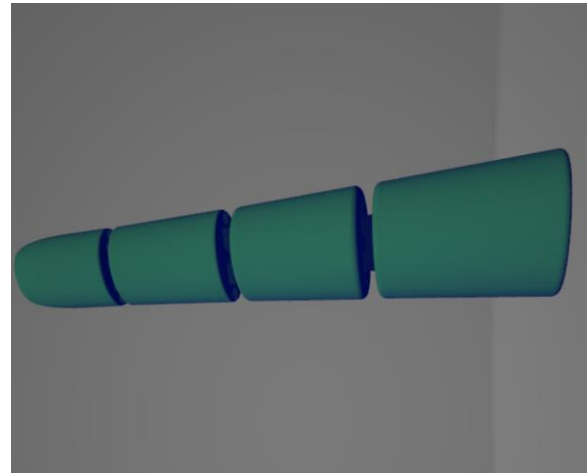


The printing

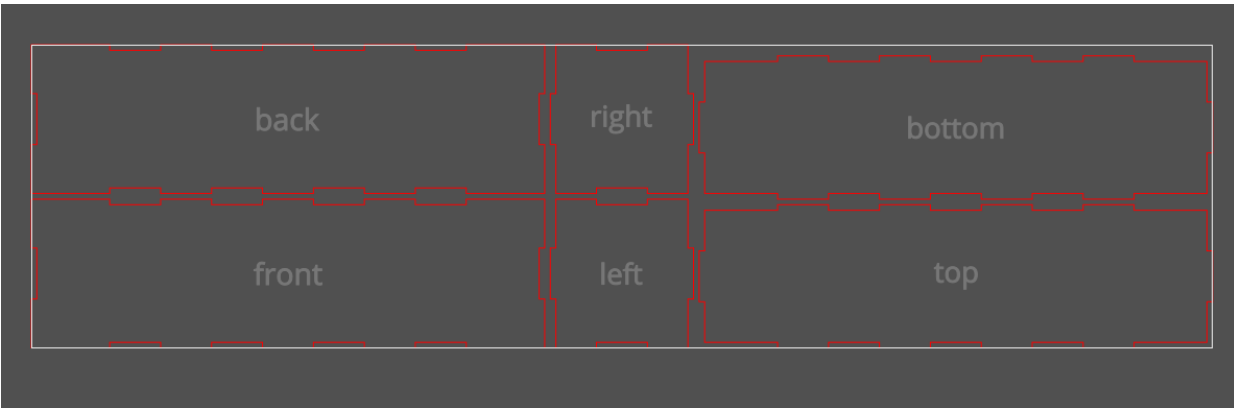
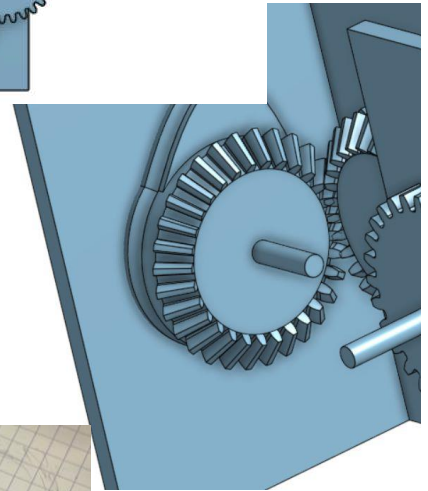
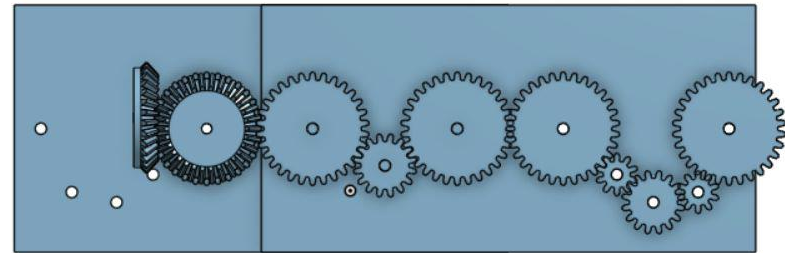
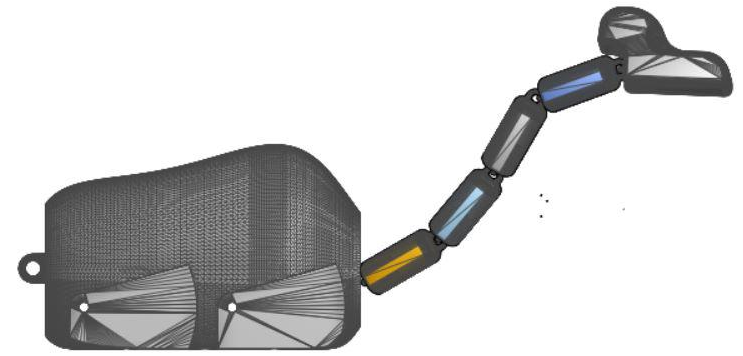
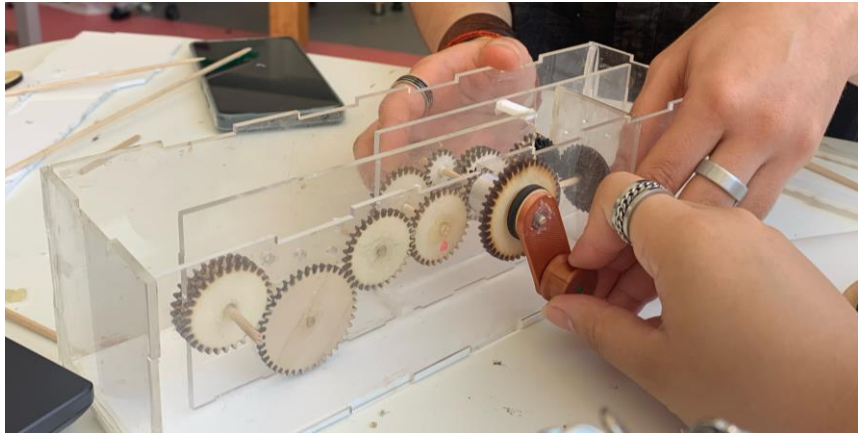


3D models

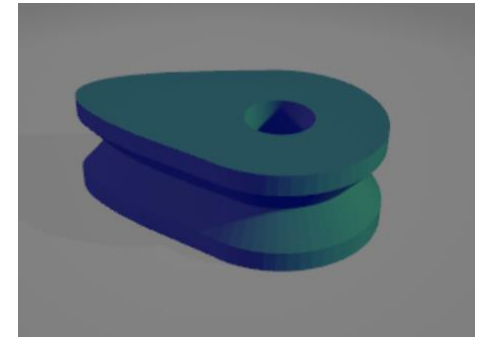
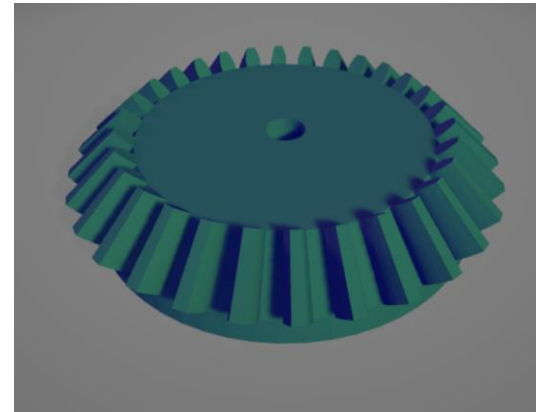
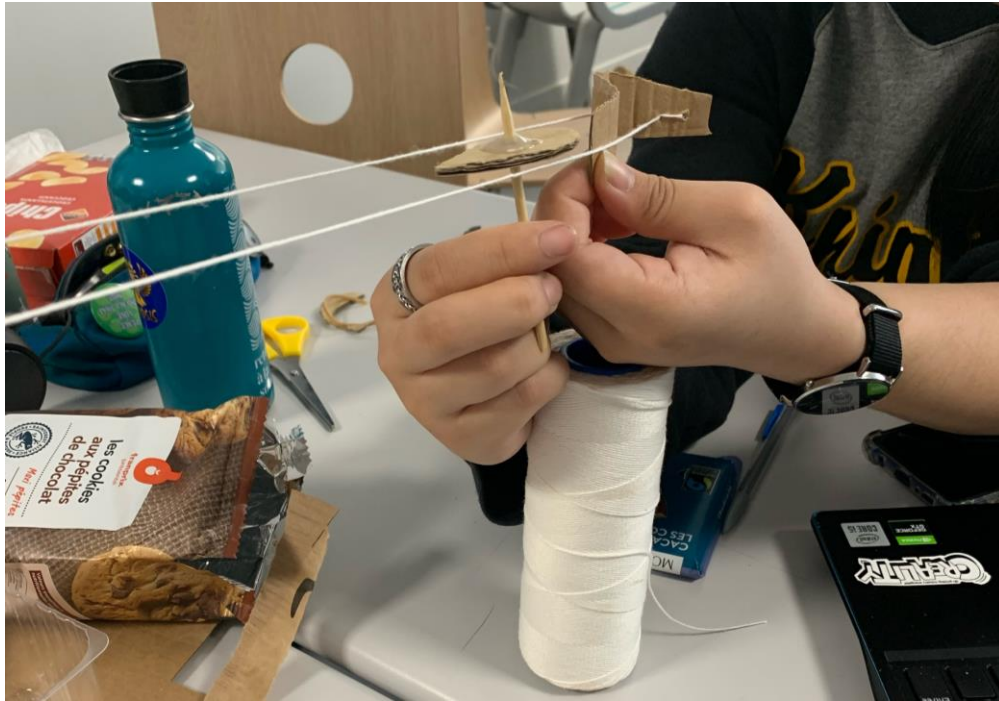
- Leg : foot, Shin, thigh
- Tail
- Head and neck
- Body
- Gears



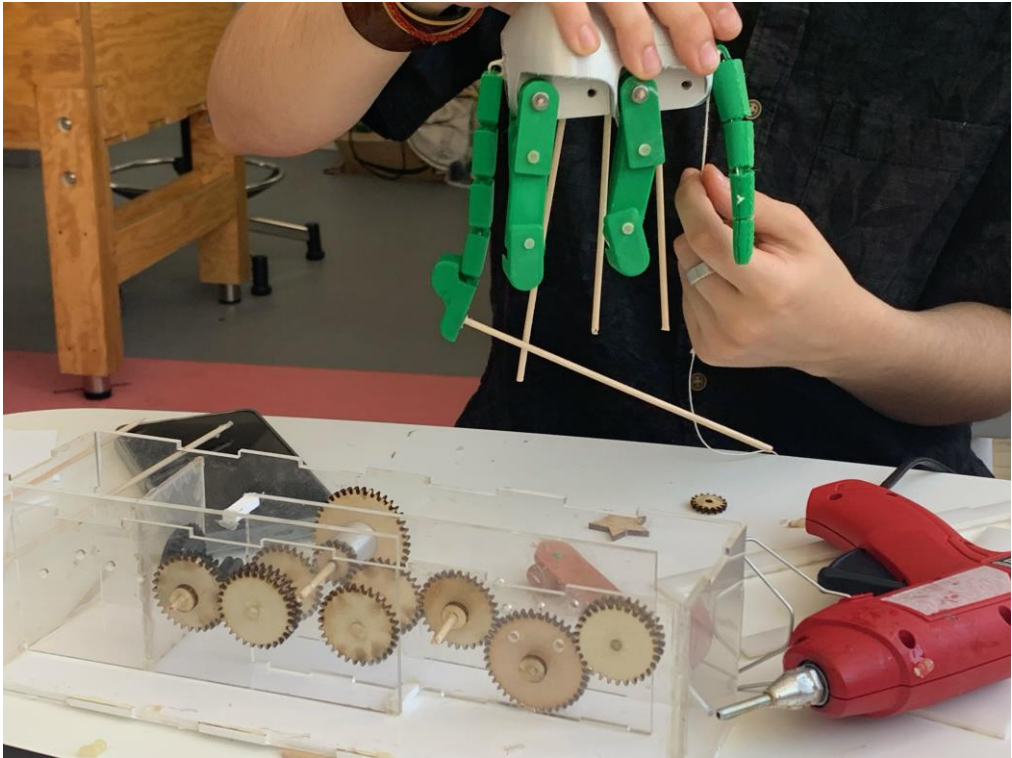
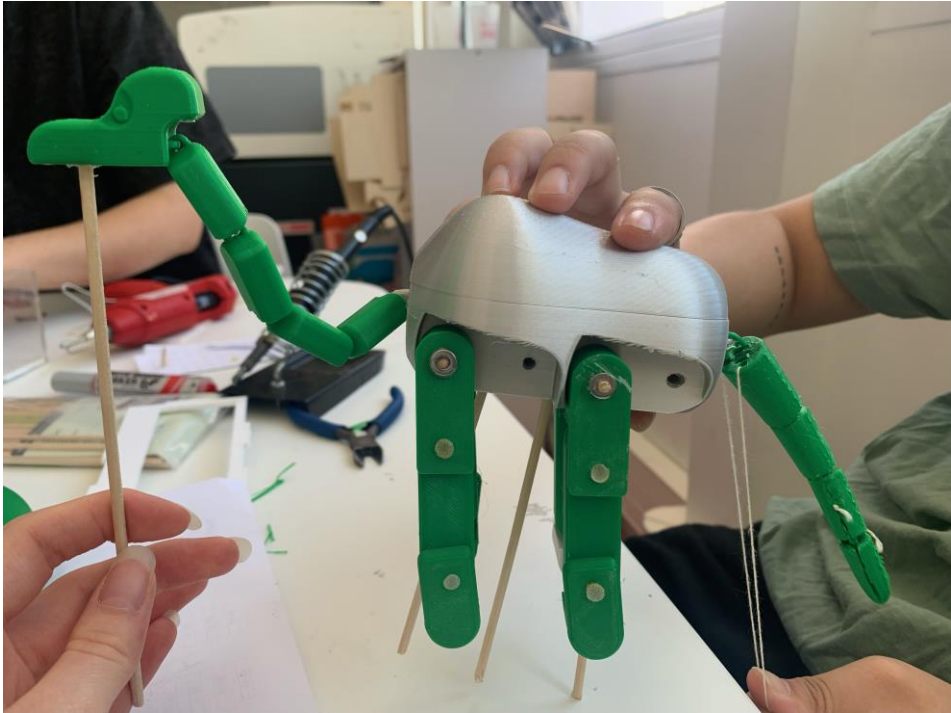
Gear box



Fancy gear : Bevel and Cam



Assemble :



TAdam

